

AC 系列空气过滤组合(三联件) / AC Series Air Filter Combination (F、R、L、Combination) AC1000~5000



技术参数/Technical Data

图形符号 Symbol

耐压试验压力/Ensured Pressure Resistance	1.5MPa (15.3kgf/cm ²)
最高使用压力/Highest Working Pressure	1.0MPa (10.2kgf/cm ²)
环境及流体温度/Ambient and Fluid Temperature	5~60℃
*过滤精度 /Filter Precision	25μm
建议用油 /Recommended Oil use	透平1号油 ISO(VG32)/Turbine No.1 Oil ISO(VG32)
容器材料 /Container material	聚碳酸酯/Polycarbonate
防护罩 /Protective cover	AC2500~5000(有)/Available only for AC2500~5000
调压范围 /Pressure Regulating Range	AC1000:0.05~0.7MPa (0.5~7kgf/cm ²) AC2000~5000:0.05~0.85MPa (0.5~8.5kgf/cm ²)
放水器功能/Drain function	差压放水、自动放水/Differential Drain, Automatic Drain
阀型 /Valve Type	带溢流型/With Overflow

*还有5,50μm 可供选择。 / 5,50μm of option.

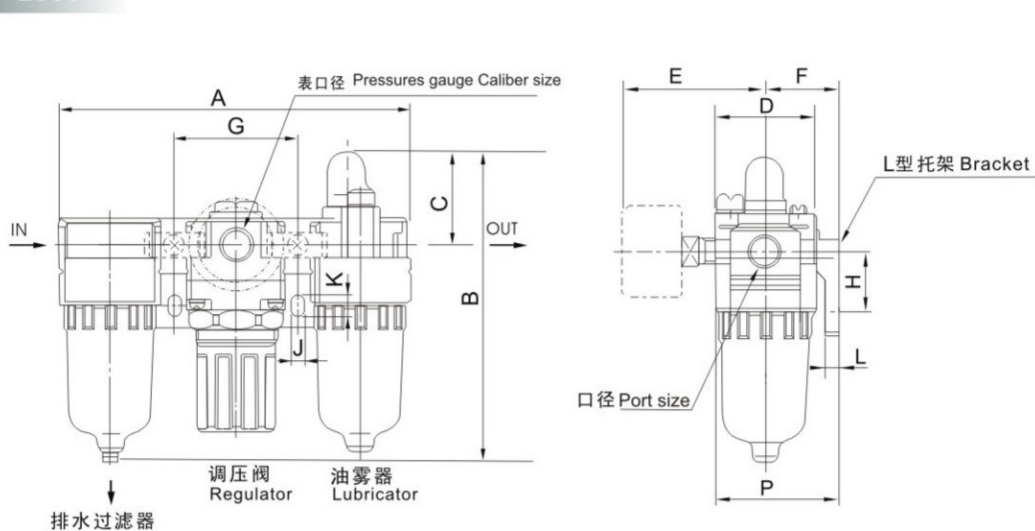
订购码 Ordering Code	规格/Specifications						配件/Accessories		
	组件/Components			*额定流量 Rated Flow (L/min)	**接管口径 Joint Port Size (G)	压力表口径 Pressure Gauge Size (G)	重量 Weight (kg)	托架 Bracket (2个)	压力表 Pressure Gauge
型号 Model	过滤器 Filter	减压阀 Regulator	油雾器 Lubricator						
AC1000-M5	AF1000	AR1000	AL1000	90	M5x0.8	1/16	0.26	Y10L	G27-10-R1
AC2000-01					1/8				
AC2000-02	AF2000	AR2000	AL2000	500	1/4	1/8	0.74	Y20L	
AC2500-02					1/4				
AC2500-03	AF3000	AR2500	AL3000	1500	3/8	1/8	1.04	Y30L	G36-10-01
AC3000-02					1/4				
AC3000-03	AF3000	AR3000	AL3000	2000	3/8	1/8	1.18	Y30L	
AC4000-03					3/8				
AC4000-04					1/2	1/4	2.14	Y40L	
AC4000-06	AF4000-06	AR4000-06	AL4000-06	4500	3/4	1/4	2.47	Y50L	G46-10-02
AC5000-06					3/4				
AC5000-10	AF5000	AR5000	AL5000	5000	1	1/4	3.82	Y60L	

注: *供应压力为0.7Mpa(7.1kgf/cm²)设定压力为0.5MPa(5.1kgf/cm²)的情况下。
Under the circumstance that the supply pressure is 0.7Mpa(7.1kgf/cm²) and set Pressure is 0.5MPa(5.1kgf/cm²)

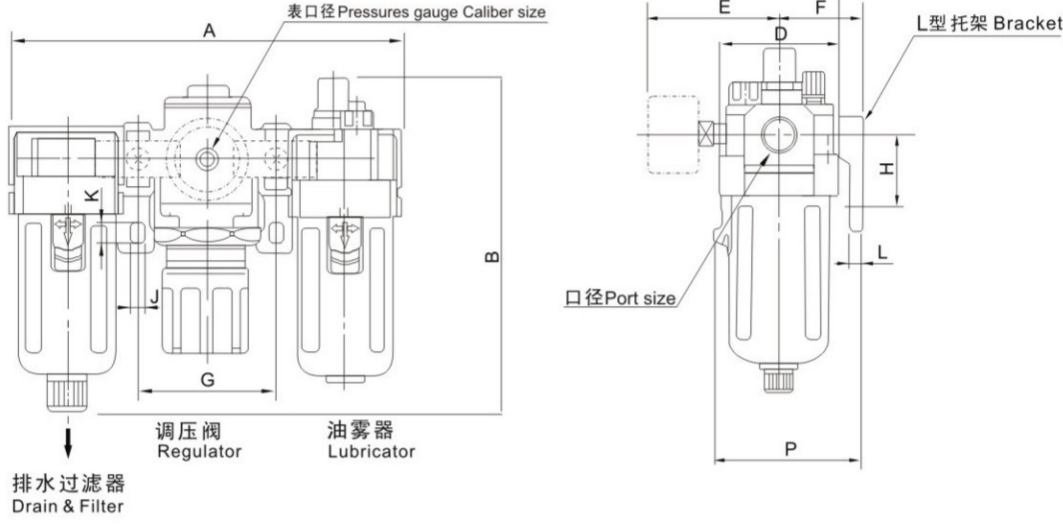
**接管口径另有RC、NPT螺纹可供选择:
Rc. and NPT size are available.

外形尺寸图/Overall Dimension(mm)

AC1000~2000



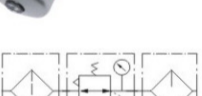
AC2500~5000



尺寸表 / Dimension Sheet

订购码 Ordering Code 型号/Model	口径 Port Size (G)	A	B	C	D	E	F	G	H	J	K	L	M	N	P
AC1000	M5	91	84.5	25.5	25	26	25	33	20	4.5	7.5	5	17.5	16	38.5
AC2000	1/8~1/4	140	125	38	40	56.8	30	50	24	5.5	8.5	5	22	23	50
AC2500	1/4~3/8	181	156.5	38	53	60.8	41	64	35	7	11	7	34.2	26	70.5
AC3000	1/4~3/8	181	156.5	38	53	60.8	41	64	35	7	11	7	34.2	26	70.5
AC4000	3/8~1/2	238	191.5	41	70	65.5	50	84	40	9	13	7	42.2	33	88
AC4000-06	3/4	253	193	40.5	70	69.5	50	89	40	9	13	7	46.2	36	88
AC5000	3/4~1	300	271.5	48	90	75.5	69.8	105	50	12	16	10.5	55.2	40	115

AC 系列空气过滤组合(二联件) / AC Series Air Filter Combination (FR、L Combination) AC1010~5010



技术参数/Technical Data

图形符号 Symbol

耐压试验压力/Ensured Pressure Resistance	1.5MPa (15.3kgf/cm ²)
最高使用压力/Highest Working Pressure	1.0MPa (10.2kgf/cm ²)
环境及流体温度/Ambient and Fluid Temperature	5~60℃
*过滤精度 /Filter Precision	25μm
建议用油 /Recommended Oil use	透平1号油 ISO(VG32)/Turbine No.1 Oil ISO(VG32)
容器材料 /Container material	聚碳酸酯/Polycarbonate
防护罩 /Protective cover	AC2500~5000(有)/Available only for AC2500~5000
调压范围 /Pressure Regulating Range	AC1000:0.05~0.7MPa (0.5~7kgf/cm ²) AC2000~5000:0.05~0.85MPa (0.5~8.5kgf/cm ²)
放水器功能/Drain function	差压放水、自动放水/Differential Drain, Automatic Drain
阀型 /Valve Type	带溢流型/With Overflow

*还有5,50μm 可供选择。 / 5,50μm available in addition.

订购码 Ordering Code	规格/Specifications						配件/Accessories		
	组件/Components		*额定流量 Rated Flow (L/min)	**接管口径 Joint Port Size (G)	压力表口径 Pressure Gauge Size (G)	重量 Weight (kg)	托架 Bracket (2个)	压力表 Pressure Gauge	
型号 Model	过滤减压阀 Filterwith pressure reducer	油雾器 Lubricator							
AC1010-M5	AW1000	AL1000	90	M5x0.8	1/16	0.22	Y10T	G27-10-R1	
AC2010-01					1/8				
AC2010-02	AW2000	AL2000	500	1/4	1/8	0.66	Y20T		
AC3010-02					1/4				
AC3010-03	AW3000	AL3000	1700	3/8	1/8	0.98	Y30T	G36-10-01	
AC4010-03					3/8				
AC4010-04	AW4000	AL4000	3000	1/2	1/4	1.93	Y40T		
AC4010-06	AW4000-06	AL4000-06	3000	3/4	1/4	1.99	Y50T	G46-10-02	
AC5010-06					3/4				
AC5010-10	AW5000	AL5000	4000	1	1/4	3.20	Y60T		

*供应压力为0.7Mpa(7.1kgf/cm²)设定压力为0.5MPa(5.1kgf/cm²)的情况下。
Under the circumstance that the supply pressure is 0.7Mpa(7.1kgf/cm²) and set Pressure is 0.5MPa(5.1kgf/cm²)

**接管口径另有RC、NPT螺纹可供选择:
Rc. and NPT size are available.

AC 系列空气过滤组合(二联件) / AC Series Air Filter Combination (FR、L Combination) AC1010~5010



技术参数/Technical Data

图形符号 Symbol

耐压试验压力/Ensured Pressure Resistance	1.5MPa (15.3kgf/cm ²)
最高使用压力/Highest Working Pressure	1.0MPa (10.2kgf/cm ²)
环境及流体温度/Ambient and Fluid Temperature	5~60℃
*过滤精度 /Filter Precision	25μm
建议用油 /Recommended Oil use	透平1号油 ISO(VG32)/Turbine No.1 Oil ISO(VG32)
容器材料 /Container material	聚碳酸酯/Polycarbonate
防护罩 /Protective cover	AC2500~5000(有)/Available only for AC2500~5000
调压范围 /Pressure Regulating Range	AC1000:0.05~0.7MPa (0.5~7kgf/cm ²) AC2000~5000:0.05~0.85MPa (0.5~8.5kgf/cm ²)
放水器功能/Drain function	差压放水、自动放水/Differential Drain, Automatic Drain
阀型 /Valve Type	带溢流型/With Overflow

*还有5,50μm 可供选择。 / 5,50μm available in addition.

订购码 Ordering Code	规格/Specifications						配件/Accessories		
	组件/Components		*额定流量 Rated Flow (L/min)	**接管口径 Joint Port Size (G)	压力表口径 Pressure Gauge Size (G)	重量 Weight (kg)	托架 Bracket (2个)	压力表 Pressure Gauge	
型号 Model	过滤减压阀 Filterwith pressure reducer	油雾器 Lubricator							
AC1010-M5	AW1000	AL1000	90	M5x0.8	1/16	0.22	Y10T	G27-10-R1	
AC2010-01					1/8				
AC2010-02	AW2000	AL2000	500	1/4	1/8	0.66	Y20T		
AC3010-02					1/4				
AC3010-03	AW3000	AL3000	1700	3/8	1/8	0.98	Y30T	G36-10-01	
AC4010-03					3/8				
AC4010-04	AW4000	AL4000	3000	1/2	1/4	1.93	Y40T		
AC4010-06	AW4000-06	AL4000-06	3000	3/4	1/4	1.99	Y50T	G46-10-02	
AC5010-06					3/4				
AC5010-10	AW5000	AL5000	4000	1	1/4	3.20	Y60T		

*供应压力为0.7Mpa(7.1kgf/cm²)设定压力为0.5MPa(5.1kgf/cm²)的情况下。
Under the circumstance that the supply pressure is 0.7Mpa(7.1kgf/cm²) and set Pressure is 0.5MPa(5.1kgf/cm²)

**接管口径另有RC、NPT螺纹可供选择:
Rc. and NPT size are available.